

R4-EM (8 Series) Electromechanical Rotary Latch

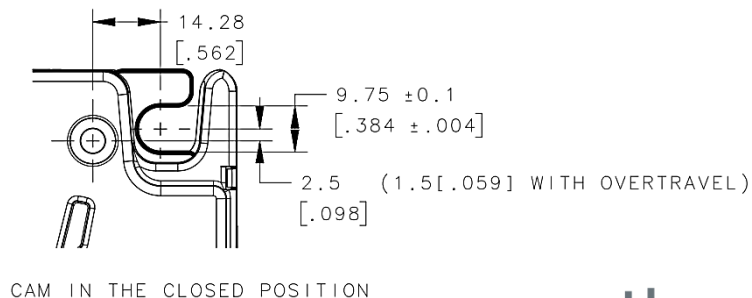
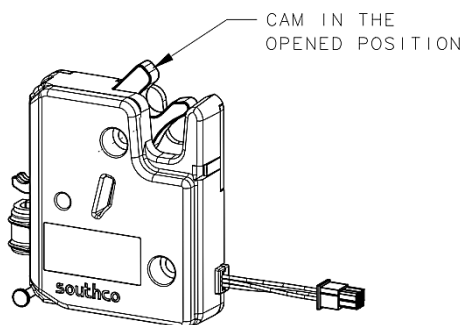
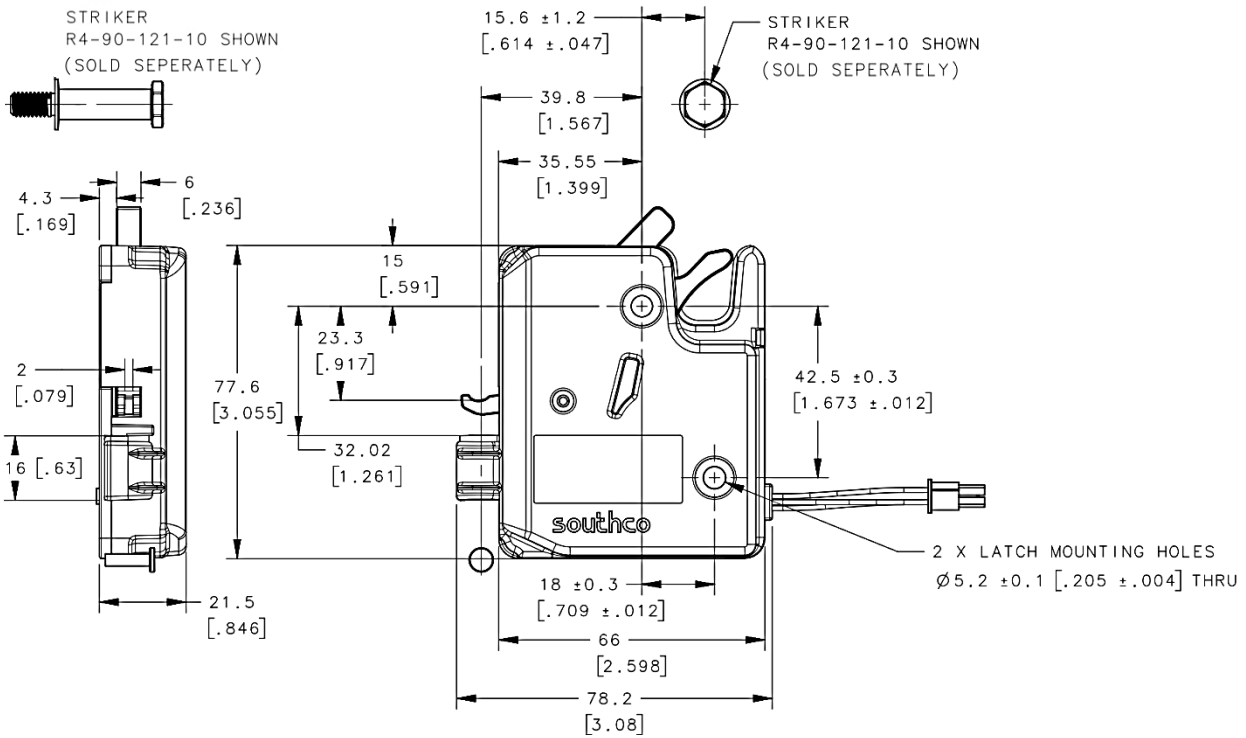
Economical model

Features

- Push-to-close, electronic release
- Auto relock functionality
- Minimal power draw
- Integrated connector option
- Latch status output
- Mechanical over-ride with integrated cable bracket
- Simple two-hole installation

Material

- Housing, trigger, plunger, lever: Nylon, black
- Rear trigger: Aluminium alloy, natural
- Cam: Steel, sealed or plastic, black
- Gears: Acetal
- Pins and screws: Steel, zinc plated
- Pin and spring: Stainless steel, passivated

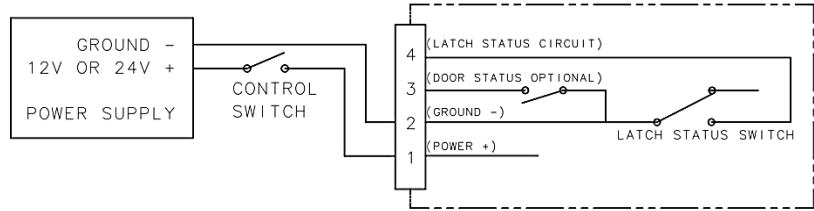


Electrical Specifications

- Operating voltage:
 - 12 V Models: 10.8 to 13.2 VDC
 - 24 V Models: 21.6 to 26.4 VDC
- Typical operating current:
 - 12 V Models: Less than 200 mA
 - 24 V Models: Less than 100 mA
- Peak / stall operating current:
 - 12 V Models: 1 A max.
 - 24 V Models: 0.3 A max.

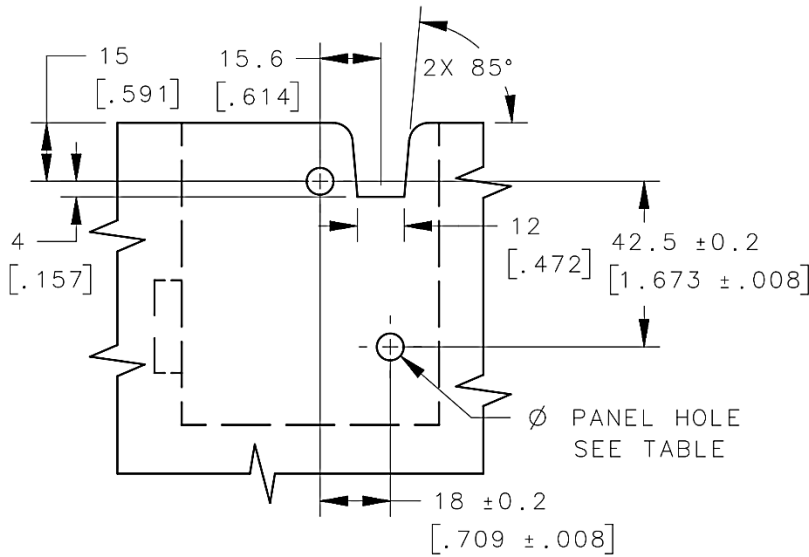
Electrical Hookup:

- With connector:
 - PIN 1: Power
 - PIN 2: Ground
 - PIN 3: None
 - PIN 4: Latch status signal
- Without connector:
 - RED: Power (+)
 - BLACK: Ground (-)
 - BROWN: Latch status signal



LATCH STATUS CIRCUIT
CONDITIONS FOR PIN 4

		CAM POSITION	
		CAM OPEN	CAM CLOSED
TRIGGER POSITION	LOCKED	N/A	OPEN CIRCUIT
	UNLOCKED	CLOSED CIRCUIT GROUND	CLOSED CIRCUIT GROUND



PANEL PREPARATION

Part No.	Cam Material	Connector	Voltage
R4-EM-862-331	Plastic	Yes	12 V
R4-EM-861-331	Metal		
R4-EM-862-332	Plastic	No	
R4-EM-861-332	Metal		
R4-EM-862-231	Plastic	Yes	24 V
R4-EM-861-231	Metal		
R4-EM-862-232	Plastic	No	
R4-EM-861-232	Metal		